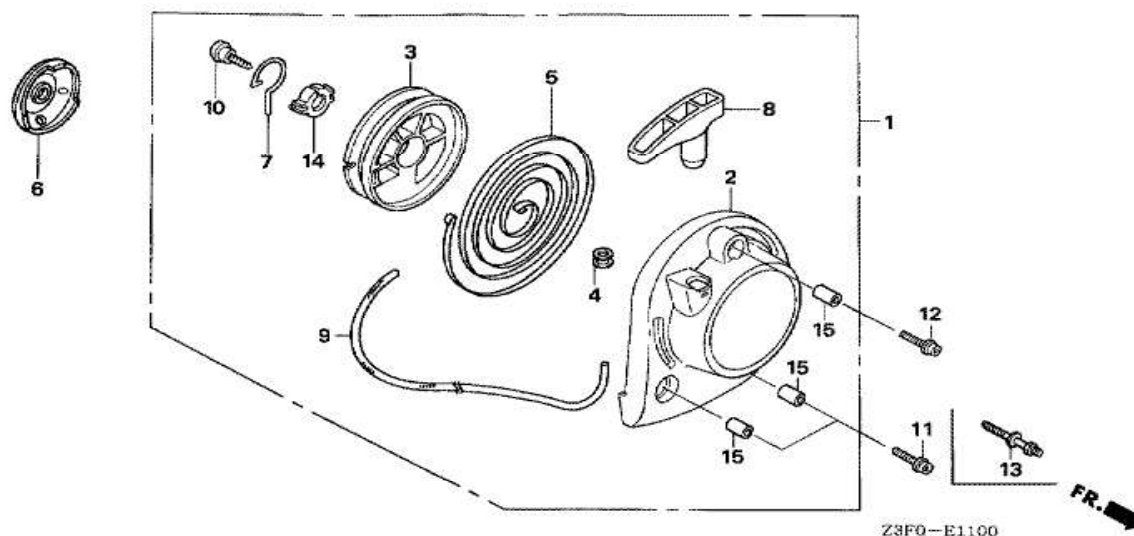
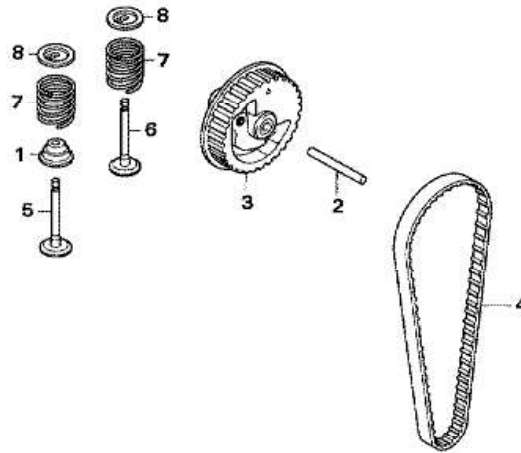


RECOIL STARTER



Nº	REFERÊNCIA	DESCRIÇÃO	PREÇO PÚBLICO
1	28400-Z0Z-003	STARTER ASSY., RECOIL	22,24 €
1	28400-Z3F-M01	STARTER ASSY., RECOIL	22,24 €
2	28414-Z0Z-000	CASE, RECOIL STARTER	19,61 €
3	28421-ZM3-003	REEL, RECOIL STARTER	5,82 €
4	28433-ZM3-003	GUIDE, ROPE	1,75 €
5	28442-Z0H-003	SPRING, RECOIL STARTER	7,78 €
6	28451-Z0H-003	PULLEY, RECOIL STARTER	3,53 €
7	28459-Z0H-003	ARM, SWING	3,65 €
8	28461-Z3F-M01	KNOB, RECOIL STARTER	4,35 €
8	28461-ZM3-003	KNOB, RECOIL STARTER	4,24 €
9	28462-ZM3-003	ROPE, RECOIL STARTER	4,63 €
10	90012-ZM3-003	SCREW, SETTING	1,67 €
12	90018-Z0H-003	BOLT, SOCKET, 5X16	0,82 €
12	90018-Z3E-901	BOLT, SOCKET, 5X16	2,00 €
14	91504-ZM3-003	COLLAR	1,37 €
15	91506-ZM3-000	COLLAR A, HEAD COVER	3,30 €

CAMSHAFT PULLEY



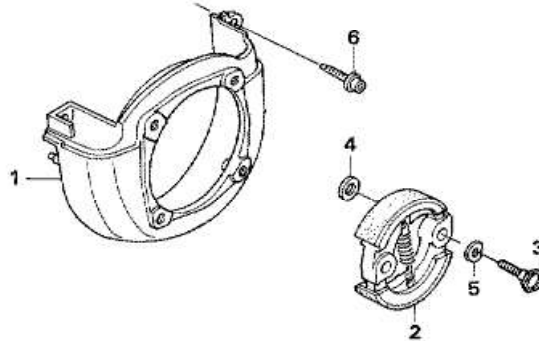
Z3F0-E1000



Nº	REFERÊNCIA	DESCRIÇÃO	PREÇO PÚBLICO
1	12209-Z3E-003	SEAL, VALVE STEM	6,47 €
2	14126-Z0Z-003	ROLLER, 4X31.8	1,23 €
3	14320-Z0Z-000	PULLEY COMP., CAMSHAFT	16,45 €
4	14400-Z3F-003	BELT, TIMING (76ZU7 G-300)	23,28 €
4	14400-Z3F-013	BELT, TIMING (76ZU6 G-310)	23,28 €
4	14400-Z3F-801	BELT, TIMING (76ZU5 G-310)	23,28 €
5	14711-Z0Z-800	VALVE, IN. (ZI/ZZI)	8,31 €
5	14711-Z3F-000	VALVE, IN. (FI)	8,31 €
6	14721-Z0Z-800	VALVE, EX. (ZE/ZZE)	9,81 €
6	14721-Z3F-000	VALVE, EX. (FE)	9,81 €
7	14751-Z0Z-000	SPRING, VALVE	2,00 €
8	14771-Z3F-000	RETAINER, VALVE SPRING	3,88 €

FAN COVER / CLUTCH

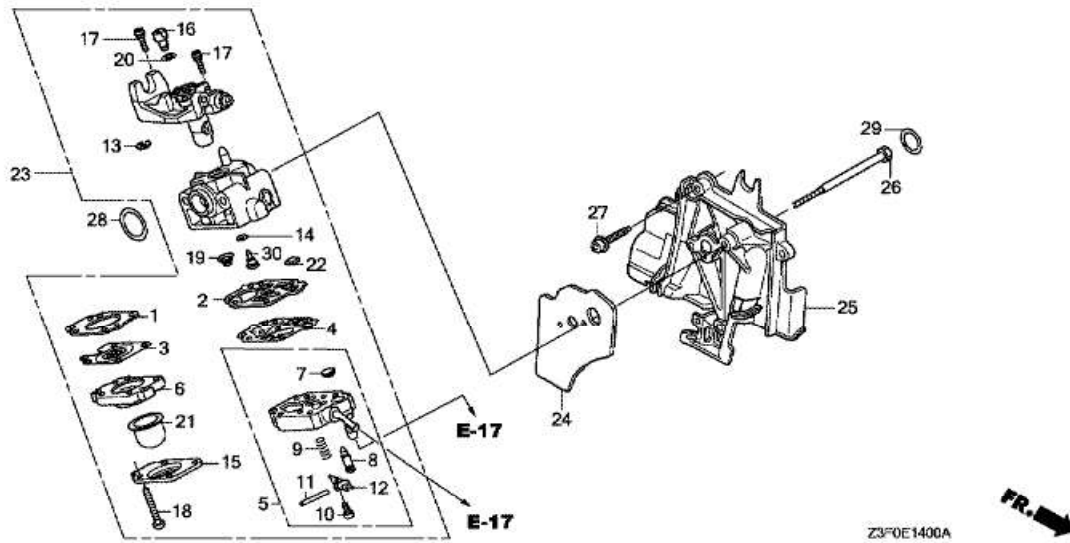
FR.



Z3F0-E1200

Nº	REFERÊNCIA	DESCRIÇÃO	PREÇO PÚBLICO
1	19611-Z0Z-000	COVER, FAN	20,67 €
2	22000-Z0Z-003	CLUTCH ASSY. (ACRO)	26,36 €
3	22253-Z3F-000	BOLT, CLUTCH (8MM)	2,41 €
4	22254-Z3F-000	WASHER, CLUTCH (8X17)	1,77 €
5	22255-Z3F-000	WASHER, WAVE (10MM)	1,77 €
6	90009-Z0H-003	BOLT, SOCKET, 5X20	0,82 €
6	90009-Z3E-901	BOLT, SOCKET, 5X20	2,00 €

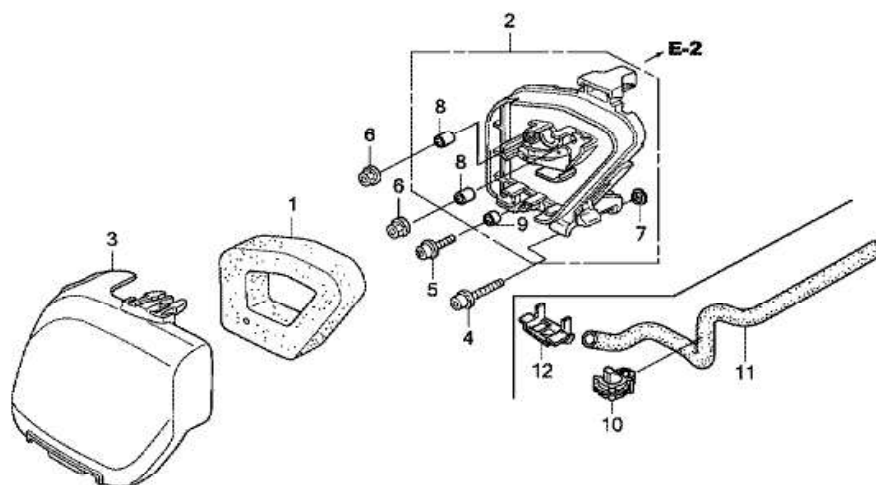
CARBURADOR



Nº	REFERÊNCIA	DESCRIÇÃO	PREÇO PÚBLICO
1	16010-ZM3-004	GASKET, METERING DIAPHRAGM	2,22 €
2	16011-Z0H-013	GASKET, PUMP	3,39 €
3	16013-Z0H-003	DIAPHRAGM ASSY., METERING	20,21 €
4	16014-ZM3-004	DIAPHRAGM, PUMP	3,40 €
5	16015-Z0H-013	BODY ASSY., PUMP	27,13 €
6	16017-ZM3-004	BODY ASSY., AIR PURGE	10,91 €
7	16018-ZM3-802	SCREEN, INLET	2,68 €
8	16019-ZM3-004	VALVE, INLET NEEDLE	3,74 €
9	16020-ZM3-004	SPRING, METERING LEVER	2,04 €
10	16021-ZM3-004	SCREW, METERING LEVER PIN	2,02 €
11	16022-ZM3-014	PIN, METERING LEVER	2,04 €
12	16023-ZM3-004	LEVER, METERING	2,53 €
13	16024-Z0H-003	RING, RETAINING	2,02 €
14	16025-ZM3-004	O-RING	2,18 €
15	16026-ZM3-004	COVER, PRIMER PUMP	3,70 €
16	91506-ZM3-000	SWIVEL	4,08 €
17	16028-ZM3-004	SCREW, THROTTLE COLLAR	1,55 €
18	16029-ZM3-004	SCREW, PUMP COVER	1,55 €
19	16030-ZM3-004	SPRING, PUMP	1,53 €

Nº	REFERÊNCIA	DESCRIÇÃO	PREÇO PÚBLICO
20	16031-ZM3-004	WASHER	3,20 €
21	16032-ZM3-004	PUMP, PRIMER	3,20 €
22	16035-ZM3-802	FILTER, FUEL INLET	13,44 €
23	16100-ZOZ-805	CARBURETOR ASSY. (WYB 15D/E)	93,47 €
23	16100-ZOZ-815	CARBURETOR ASSY. (WYB 14D/E)	93,47 €
24	16221-ZOZ-000	PACKING, CARBURETOR	6,63 €
25	19631-ZOZ-010	SHROUD	17,71 €
25	19631-ZOZ-020	SHROUD	17,71 €
26	90014-ZOH-003	BOLT, 5X53	0,79 €
27	90018-ZOH-003	BOLT, SOCKET, 5X16	0,82 €
27	90018-Z3E-901	BOLT, SOCKET, 5X16	2,00 €
28	91301-ZM3-000	O-RING, 14.8X2.4	1,13 €
29	91308-Z3E-000	O-RING, 12.3X2.4	1,13 €
30	99101-ZOZ0360	JET (#36)	9,65 €
30	99101-ZOZ0370	JET (#37)	9,65 €
30	99101-ZOZ0370	JET (#37)	9,65 €
30	99101-ZM50350	JET (#35)	9,65 €

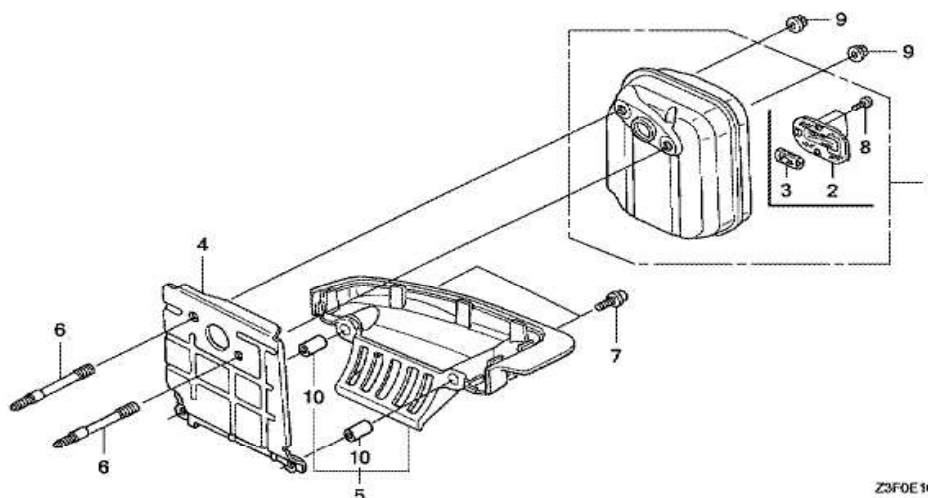
FILTRO DE AR



FR. →
Z3F0E1500B

Nº	REFERÊNCIA	DESCRIÇÃO	PREÇO PÚBLICO
1	17211-Z0Z-000	ELEMENT, AIR CLEANER	3,30 €
2	17220-Z0Z-000	CASE COMP., AIR CLEANER	12,52 €
2	17220-Z0Z-010	CASE COMP., AIR CLEANER	12,52 €
3	17231-Z0Z-010	COVER, AIR CLEANER	5,21 €
4	90009-Z0Z-003	BOLT, SOCKET, 5X25	1,09 €
4	90009-Z3F-901	BOLT, SOCKET, 5X25	2,00 €
5	90018-Z0H-003	BOLT, SOCKET, 5X16	0,82 €
5	90018-Z3E-901	BOLT, SOCKET, 5X16	2,00 €
6	94050-05000	NUT, FLANGE, 5MM	0,72 €
7	91501-Z0Z-000	COLLAR, AIR CLEANER CASE	1,16 €
8	91503-ZM3-000	COLLAR, AIR CLEANER	1,25 €
9	91506-ZM3-000	COLLAR A, HEAD COVER	1,23 €

MUFFLER

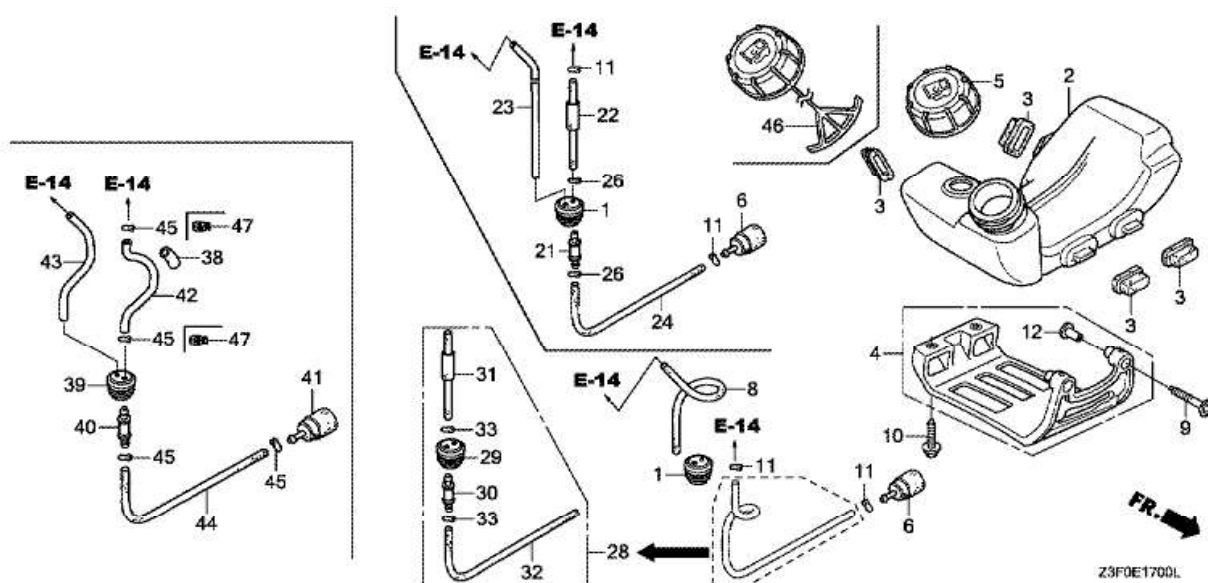


Z3F0E1600A



Nº	REFERÊNCIA	DESCRIÇÃO	PREÇO PÚBLICO
1	18310-Z0Z-801	MUFFLER COMP. (ARRESTER)	22,08 €
1	18310-Z0Z-802	MUFFLER COMP. (ARRESTER)	22,08 €
2	18350-Z0Z-800	ARRESTER COMP., SPARK	6,84 €
2	18350-Z0Z-801	ARRESTER COMP., SPARK	6,84 €
3	18354-Z0Z-800	FILTER, EXHAUST	5,88 €
4	18515-Z0Z-300	GUIDE, AIR	4,40 €
5	18518-Z0Z-020	GUIDE COMP., UNDER AIR	8,79 €
6	90001-Z0Z-013	BOLT, STUD, 5X56.5	3,42 €
7	90018-Z0H-003	BOLT, SOCKET, 5X16	0,82 €
7	90018-Z3E-901	BOLT, SOCKET, 5X16	2,00 €
8	90055-ZE1-000	SCREW, TAPPING, 4X6	1,76 €
10	91506-ZM3-000	COLLAR A, HEAD COVER	1,23 €

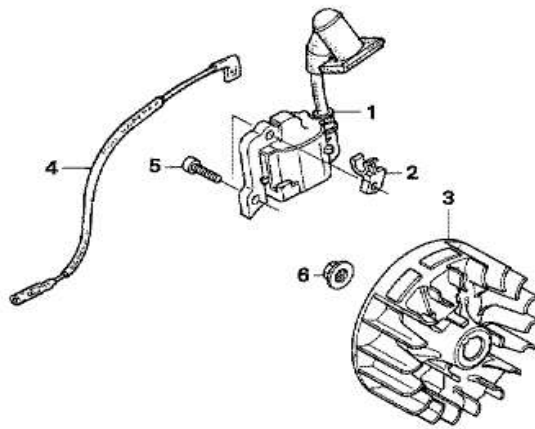
FUEL TANK




Z3F0E1700L

Nº	REFERÊNCIA	DESCRIÇÃO	PREÇO PÚBLICO
1	17504-ZM3-003	GROMMET, FUEL TUBE	4,13 €
2	17511-Z0Z-013	TANK, FUEL	29,10 €
3	17533-Z0H-000	RUBBER, TANK MOUNTING	1,82 €
4	17555-Z0Z-000	GUARD, TANK	20,55 €
5	17620-ZM3-063	CAP ASSY., FUEL TANK	8,89 €
6	17672-Z0H-003	FILTER, FUEL	7,96 €
7	17701-Z0Z-000	TUBE, FUEL TANK	7,19 €
8	17702-Z0Z-000	TUBE, FUEL RETURN	3,47 €
9	90010-Z0H-003	BOLT, SOCKET, 5X30	0,92 €
10	90018-Z0H-003	BOLT, SOCKET, 5X16	0,82 €
10	90018-Z3E-901	BOLT, SOCKET, 5X16	2,00 €
12	91501-Z0H-000	COLLAR, TANK GUARD	1,86 €
22	17701-Z0Z-800	TUBE COMP., FUEL FEED	4,43 €
26	91401-Z3E-000	CLIP, TUBE (B1 5)	0,72 €
26	91401-ZM3-003	CLIP, TUBE	1,62 €
28	91506-ZM3-000	GROMMET ASSY., FUEL TANK	13,15 €
38	16865-Z6J-010	PROTECTOR, TUBE	1,69 €
39	17504-ZM3-003	GROMMET, FUEL TUBE	4,13 €
40	17519-ZM5-003	FITTING	5,07 €
42	17701-Z0Z-801	TUBE COMP., FUEL FEED	4,43 €
43	17702-Z0H-003	TUBE, FUEL RETURN	2,32 €
44	17703-Z6K-801	TUBE A, FUEL	5,82 €
45	91401-Z3E-000	CLIP, TUBE (B1 5)	0,72 €
46	17620-ZM3-817	CAP ASSY., FUEL TANK	10,19 €
46	17620-ZM3-818	CAP ASSY., FUEL TANK	10,19 €

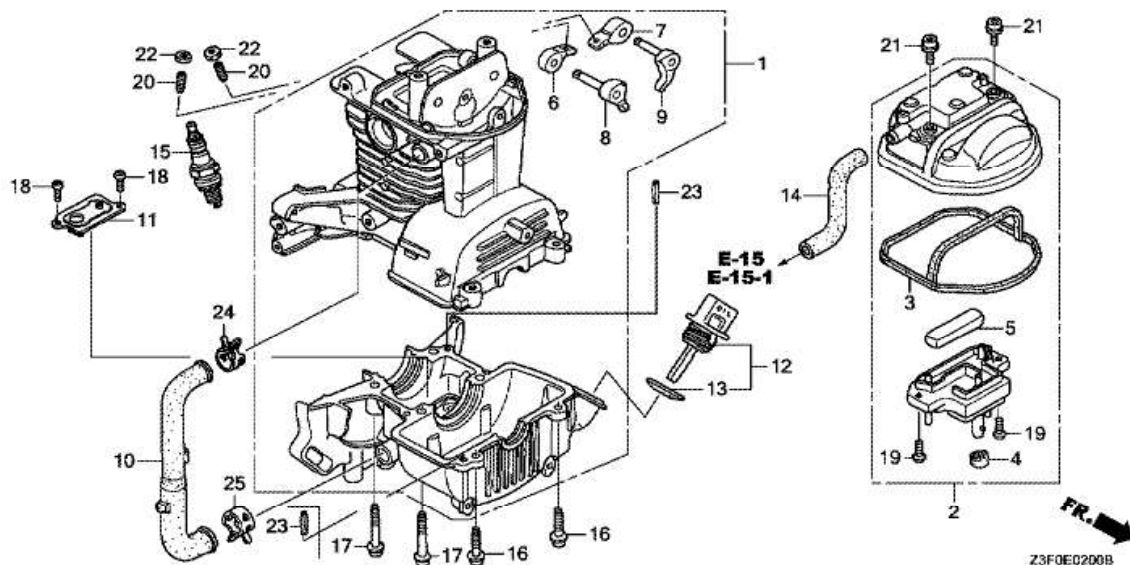
FLYWHEEL



Z3F0-E1900 

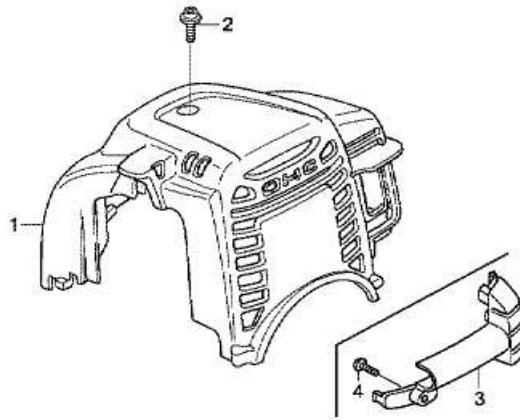
Nº	REFERÊNCIA	DESCRIÇÃO	PREÇO PÚBLICO
1	30500-Z3F-013	COIL ASSY., IGNITION	39,53 €
3	31110-Z3F-003	FLYWHEEL COMP.	43,27 €
4	32195-Z0Z-000	CORD, STOP SWITCH	4,67 €
5	90012-Z3E-003	BOLT, SOCKET, 4X14	1,04 €
6	94050-08000	NUT, FLANGE, 8MM	1,67 €

CRANKCASE SET



Nº	REFERÊNCIA	DESCRIÇÃO	PREÇO PÚBLICO
1	10100-Z3F-405	CRANKCASE SET	165,07 €
2	12310-Z0Z-000	COVER COMP., CYLINDER HEAD	16,13 €
3	12312-Z0Z-300	SEAL, HEAD COVER	4,34 €
4	12314-Z0H-300	GROMMET, HEAD COVER	1,23 €
5	12367-Z0H-000	FILTER, BREATHER	6,37 €
6	14431-Z0H-003	ARM, IN. VALVE ROCKER	7,01 €
7	14441-Z0H-003	ARM, EX. VALVE ROCKER	11,00 €
8	14730-Z0Z-000	LIFTER COMP., IN. VALVE	16,96 €
9	14740-Z0Z-000	LIFTER COMP., EX. VALVE	19,46 €
10	15422-Z0Z-000	TUBE, OIL	10,05 €
11	15510-Z3E-000	PLATE ASSY., OIL OUTLET VALVE	6,92 €
12	15600-Z3F-000	CAP ASSY., OIL FILLER	6,32 €
13	15625-Z0T-800	PACKING, OIL FILLER CAP	4,43 €
14	15721-Z0Z-000	TUBE, BREATHER	6,95 €
15	31914-Z0H-003	PLUG, SPARK (CMR4H) (NGK)	12,40 €
15	31915-Z0H-003	PLUG, SPARK (CMR5H) (NGK)	7,90 €
15	91506-ZM3-000	PLUG, SPARK (CMR6H) (NGK)	12,40 €
16	90009-Z0H-003	BOLT, SOCKET, 5X20	0,82 €
16	90009-Z3E-901	BOLT, SOCKET, 5X20	2,00 €
17	90010-Z0Z-003	BOLT, SOCKET, 5X32	1,04 €
18	90013-Z3E-003	SCREW, PAN, 4X8	0,64 €
19	90013-Z3F-003	SCREW, PAN, 4X8	0,64 €
20	90017-Z0H-000	SCREW, TAPPET ADJUSTING	2,84 €
21	90019-Z0H-003	BOLT, SOCKET, 5X12	0,77 €
22	90206-ZM3-000	NUT, TAPPET ADJUSTING	1,08 €
23	94305-40102	PIN, SPRING, 4X10	1,12 €
24	95002-4120008	CLAMP, TUBE (D12)	1,16 €
25	95002-4130004	CLAMP, TUBE (D13)	1,94 €

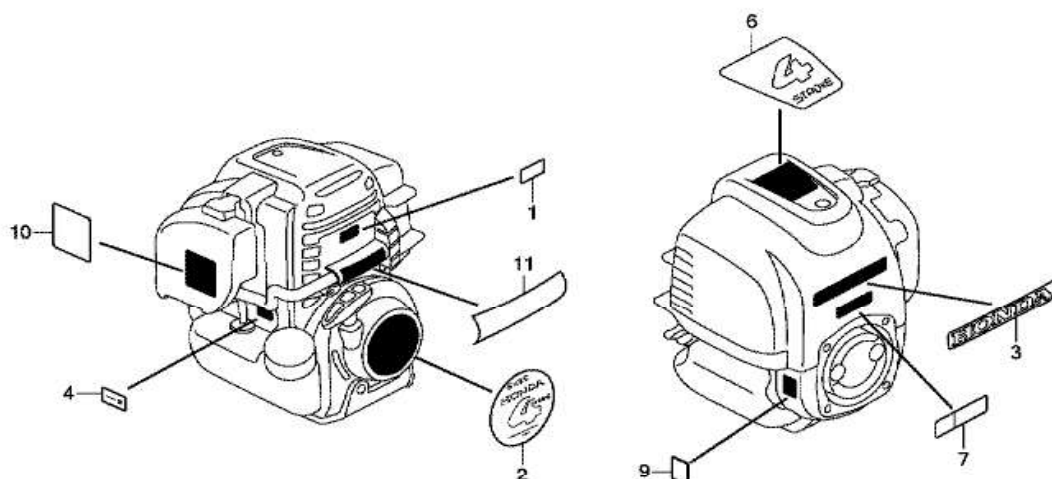
TOP COVER



FR. →
Z3F0E2700A

Nº	REFERÊNCIA	DESCRIÇÃO	PREÇO PÚBLICO
1	19720-Z0Z-000ZA	COVER COMP., TOP *R280 *	48,26 €
1	19720-Z0Z-010ZA	COVER COMP., TOP *R280*	48,26 €
2	90015-Z0H-003	BOLT, TOP COVER	0,82 €
2	90015-Z3E-900	BOLT, TOP COVER	2,00 €

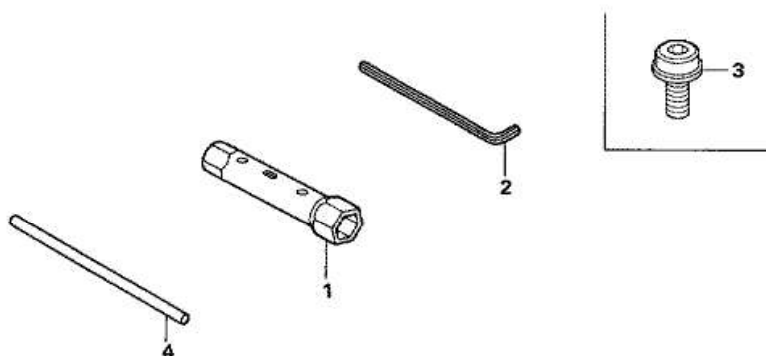
LABEL



Z3F0E2800D

Nº	REFERÊNCIA	DESCRIÇÃO	PREÇO PÚBLICO
2	87521-Z3F-010	MARK, EMBLEM	3,20 €
6	87660-Z0Z-000	MARK (4-STROKE)	4,74 €
9	87114-ZH7-840	LABEL, WARNING (NOT CERTIFIED FOR SALE)	1,57 €
10	87519-Z6J-000	MARK, OPERATOR CAUTION (PICTOGRAPH)	7,18 €

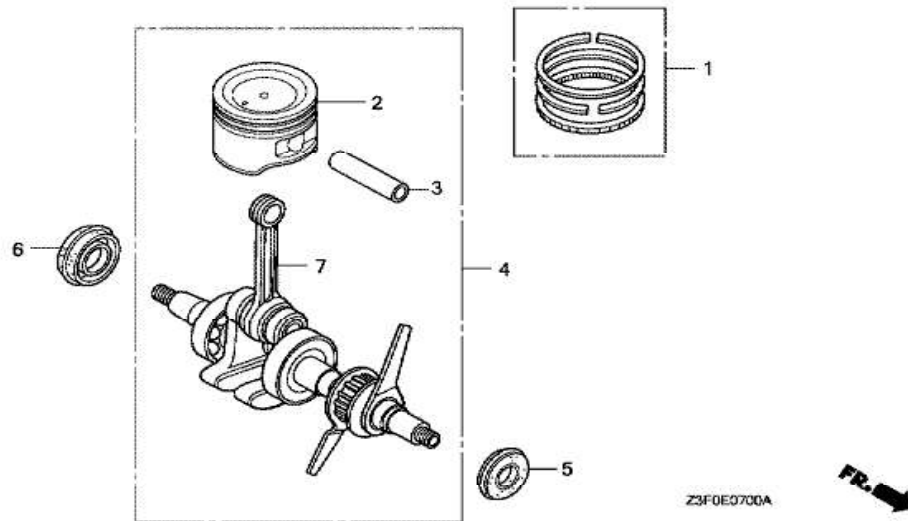
TOOL



Z3F0-E2900

Nº	REFERÊNCIA	DESCRIÇÃO	PREÇO PÚBLICO
1	89216-VJ3-J10	WRENCH, PLUG (16X19)	15,58 €
3	90011-Z0H-811	BOLT, SOCKET, 5X9	0,79 €
4	99005-01000	BAR A, HANDLE	2,36 €

CRANKSHAFT/PISTON



Nº	REFERÊNCIA	DESCRIÇÃO	PREÇO PÚBLICO
1	13010-Z3F-003	RING SET, PISTON (TPR)	15,96 €
1	13010-ZM5-000	RING SET, PISTON (RIKEN)	15,96 €
2	13101-Z0Z-010	PISTON	26,90 €
2	13101-Z3F-000	PISTON	26,90 €
3	13111-ZM5-000	PIN, PISTON	3,12 €
4	13310-Z0Z-010	CRANKSHAFT COMP.	146,76 €
4	13310-Z3F-000	CRANKSHAFT COMP.	146,76 €
5	91212-Z3E-003	OIL SEAL, 10X20X5	3,95 €
6	91214-Z3F-003	OIL SEAL, 15X25X6	3,95 €
7	13310-Z0Z-305	CRANKSHAFT COMP.	126,21 €
7	13310-Z3F-305	CRANKSHAFT COMP.	126,38 €